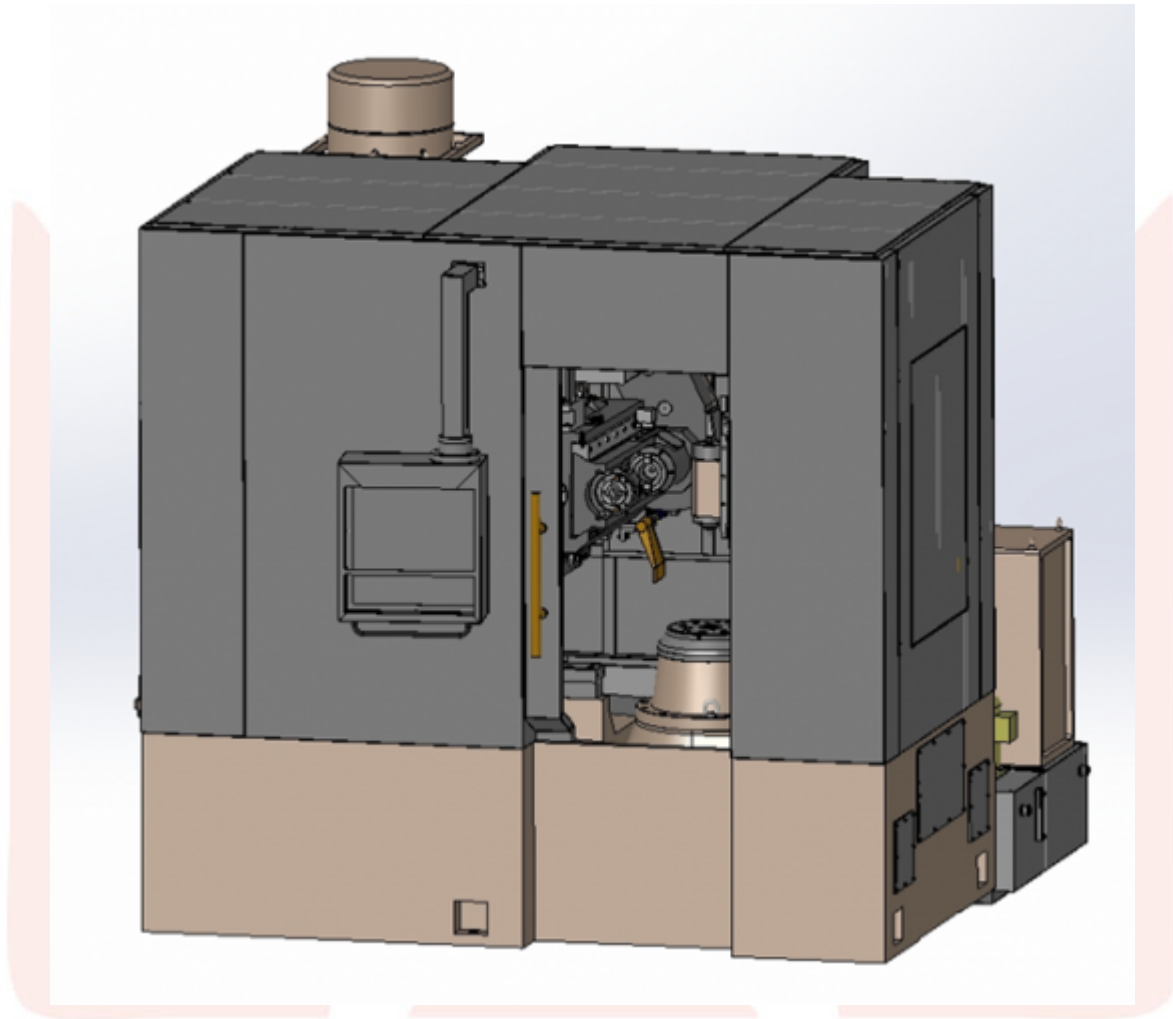

GEAR HOBBIING MACHINE FOLLOW GH200/3 CNC

Ref: GH200/3 CNC FOLLOW



Tech specs

Brand	FOLLOW
Max. external Diameter	200
Max module	6
Number of teeth	8~64 (12x50)
Diameter of the working table	300
Distance between head center to worktable center	30~175
Distance between center head to table surface	260~430
Dimensions (length x width x height)	2260x1800x1720

